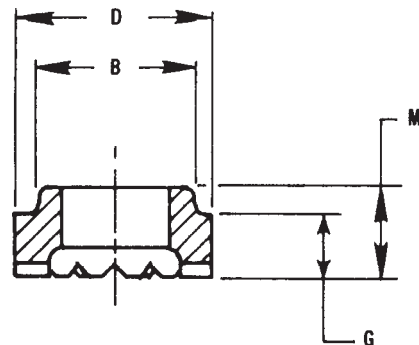
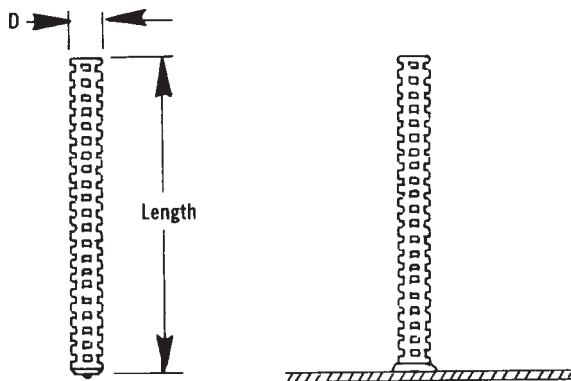


# DB DEFORMED BAR ANCHOR



STUD SPECIFICATIONS			FERRULE SPECIFICATIONS				
D x LENGTH	PART NO.	LBS/M *	PART NO.	B	D	G	M
3/8 X 6-1/8	DB386	180	38FER	.505	.637	.281	.437
3/8 X 10-1/8	DB3810	300					
3/8 X 12-1/8	DB3812	360					
3/8 X 18-1/8	DB3818	520					
3/8 X 24-1/8	DB3824	720					
3/8 X 36-1/8	DB3836	1035					
1/2 X 5-1/8	DB125	269	12FER	.650	.795	.281	.469
1/2 X 10-1/8	DB1210	537					
1/2 X 12-1/8	DB1212	640					
1/2 X 18-1/8	DB1218	960					
1/2 X 24-1/8	DB1224	1280					
1/2 X 30-1/8	DB1230	1650					
1/2 X 36-1/8	DB1236	1920	58FER	.785	1.030	.328	.516
5/8 X 12-3/16	DB5812	1000					
5/8 X 18-3/16	DB5818	1500					
5/8 X 24-3/16	DB5824	2000					
5/8 X 30-3/16	DB5830	2500					
5/8 X 36-3/16	DB5836	3000	34FER	1.030	1.215	.469	.656
3/4 X 12-3/16	DB3412	1485					
3/4 X 18-3/16	DB3418	2210					
3/4 X 24-3/16	DB3424	2880					
3/4 X 30-3/16	DB3430	3625					
3/4 X 36-3/16	DB3436	4400					

MATERIAL: Low Carbon Steel ASTM: A-496.

LENGTH: Length is before weld. Stud diameters (D) 1/2" and below will be approximately 1/8" shorter after welding. 5/8" and 3/4" will be approximately 3/16" shorter after welding.

STAINLESS STEEL: COX INDUSTRIES Deformed Bar Anchors are available in 300 series (except 303) stainless steel.

SPECIALS: Any length of deformed anchors is available upon request.

\* Weights are approximate and will vary with different heats of steel.



*Cox Industries*